

TOSVERT VF-AS3

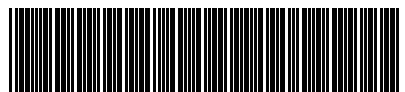
Door mounting kit Instruction Manual

SBP010Z

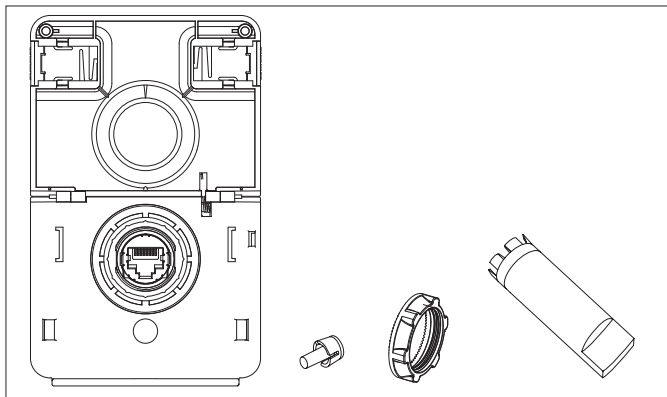
TOSHIBA INDUSTRIAL PRODUCTS AND SYSTEMS CORPORATION

NOTICE

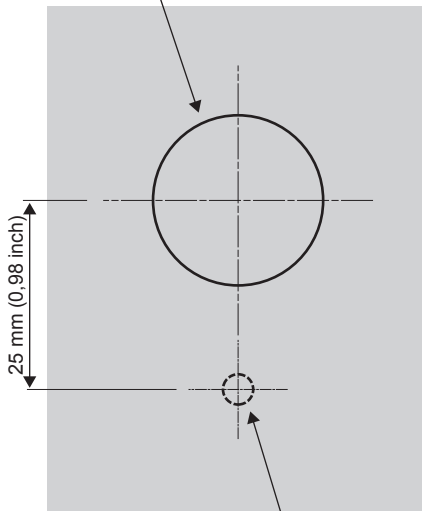
1. Make sure that this instruction manual is delivered to the end user of Door mounting kit.
2. Read this manual before attaching the Door mounting kit.
Keep it in a safe place for reference.
3. All information contained in this manual will be changed without notice.



* NHA93628REV02*

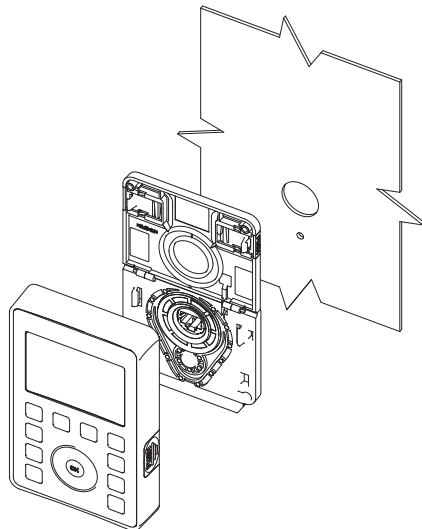


Ø22.5 mm
(Ø0,87 inch)

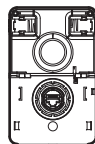


scale 1:1

Ø4 mm
(Ø0,16 inch)



= Water/dust
proof



= No protection



= Water/dust
proof

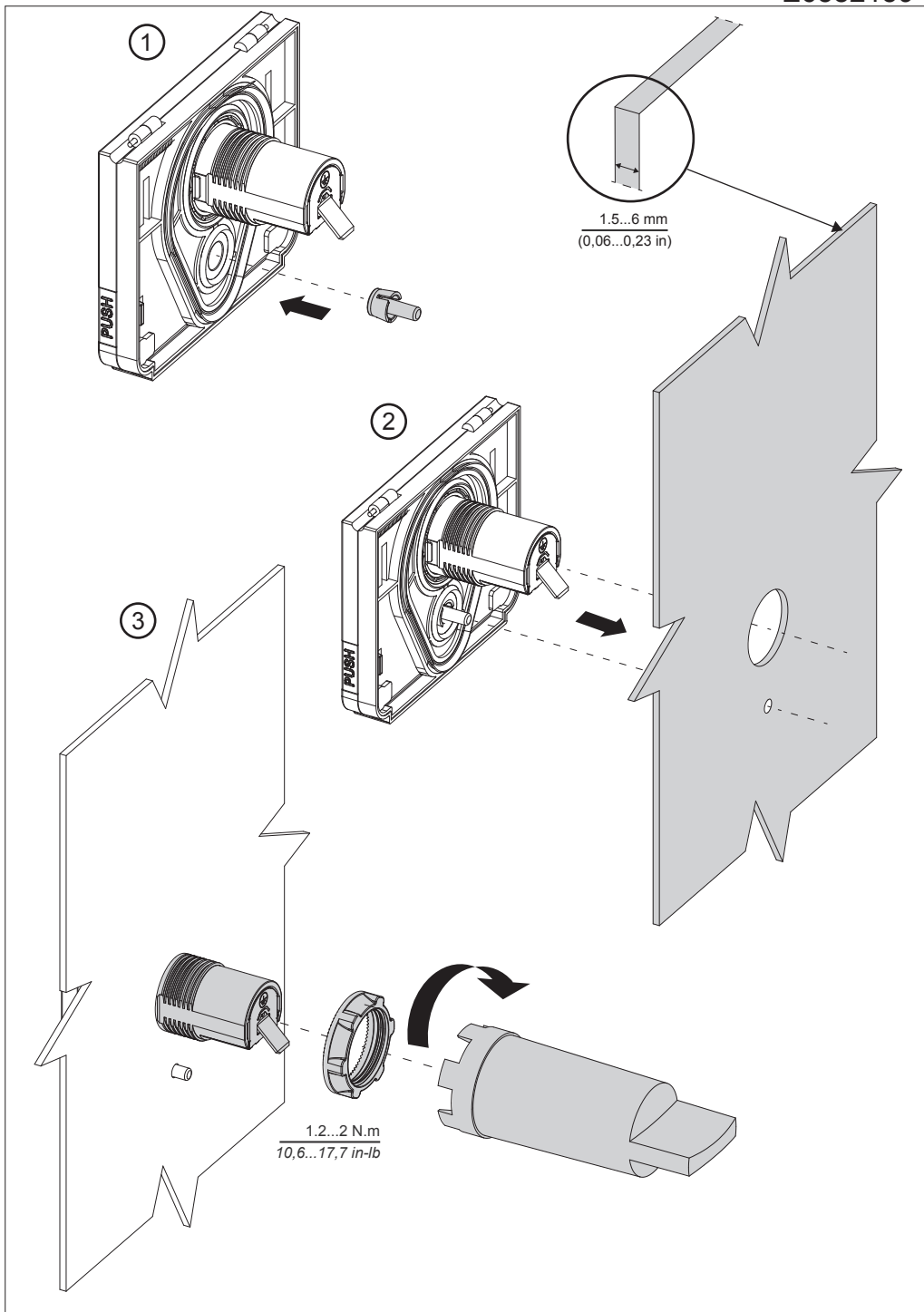


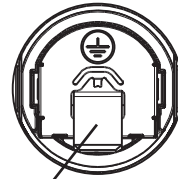
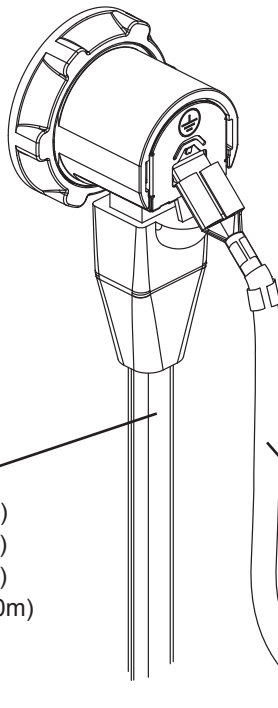
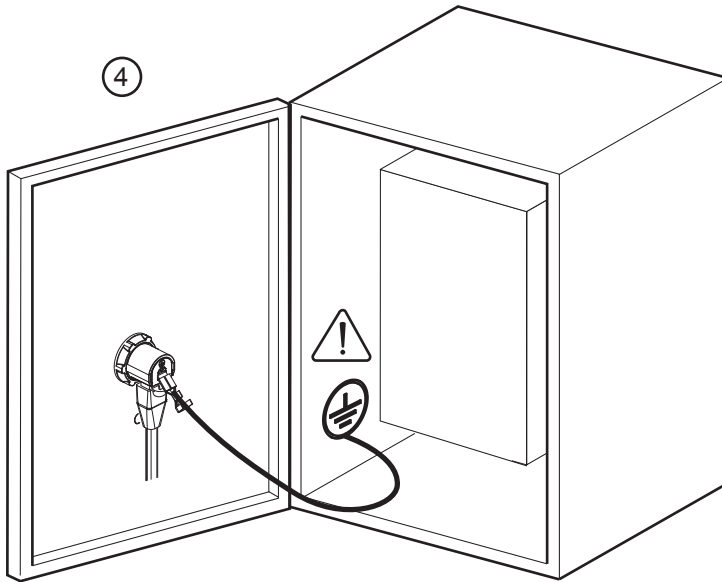
CAUTION



Prohibited

- Do not detach the operation panel from the inverter when the power is ON. This will result in failure. Please detach the operation panel after turning the power off.





FAST-ON-TAB
width : 6.35 mm (0.25 in)
thickness : 0.8mm (0.03 in)

Panel cable (option)
Type-form: CAB0071(1m)
CAB0073(3m)
CAB0075(5m)
CAB00710(10m)

The recommended wire size
is 2.5 mm² (AWG13) or more.

TOSHIBA INDUSTRIAL PRODUCTS AND SYSTEMS CORPORATION

580, Horikawa-cho, Kawasaki, 212-0013, Japan